



2 CORNER WIRELESS AIR COMMAND

INSTALLATION INSTRUCTIONS

Congratulations on your purchase of a Wireless Air Command kit. This kit was designed to provide inflation control of your air helper springs. This kit will be an asset to your vehicle, meeting nearly all of your air supply needs.

Please take a few minutes to read through the instructions to identify the components and learn how to properly install your Wireless Air Command kit.

NOTE:

The Wireless Air Command kit can be used with all air helper spring products. If you are installing an air suspension system, do not install the air line tubing to the air springs as stated in the suspension system instruction manual. If you are adding the Wireless Air Command kit to an existing air suspension system, you will need to deflate the air springs and remove the air line tubing.

NOTE ON CONNECTING THE AIR LINE TUBING

Cut the air line tubing as squarely as possible. To connect the air line tubing to the fittings, push the tubing into the fittings as far as possible. If for any reason the tubing must be removed, first release the air pressure from the air helper spring. Push the collar towards the body of the fitting and then pull out the tubing. To reassemble, make sure the tubing is cut squarely and push the tubing back into the fitting.

PARTS LIST

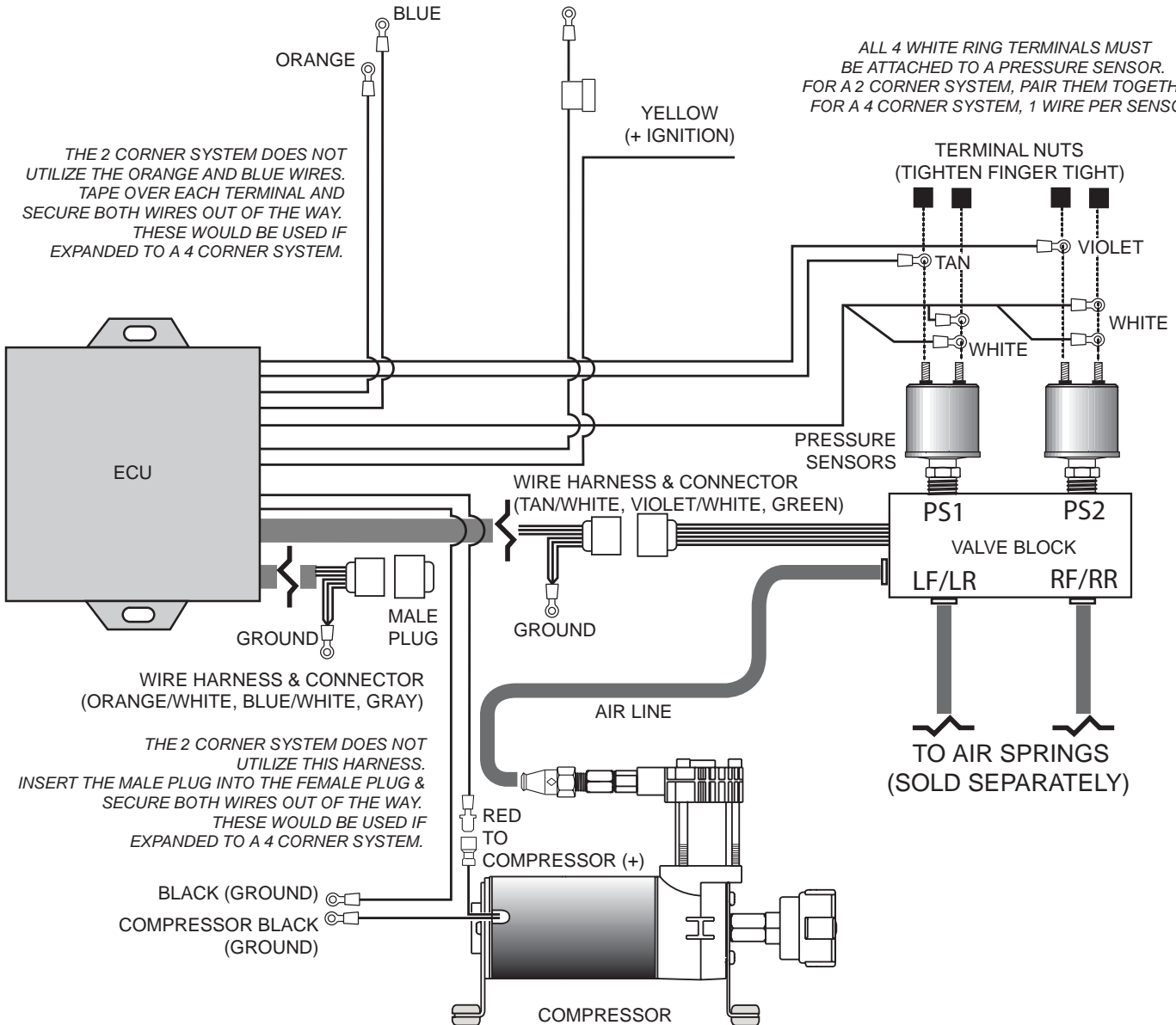
WIRELESS CONTROLLER	9367	1	3/16" FLAT WASHER	8
ECU	9366	1	1/4"-20 X 2-1/2" HEX BOLTS	2
AIR COMPRESSOR	9283	1	10/32" X 3/4" MACHINE SCREW	2
VALVE BLOCK	9357	1	10/32" X 1" MACHINE SCREW	4
PRESSURE SENSOR	9054	2	10/32" NYLOCK NUT	6
MALE PLUG	9373	1	1/4"-20 NYLOCK NUT	2
AIR LINE	0938	1	VELCRO TABS	4
MALE FITTING	3055	1	NYLONTIE	15
1/4" FLAT WASHER		4		

2 Corner System

RED w/ 20 AMP FUSE
(+ TO BATTERY)

ALL 4 WHITE RING TERMINALS MUST BE ATTACHED TO A PRESSURE SENSOR. FOR A 2 CORNER SYSTEM, PAIR THEM TOGETHER. FOR A 4 CORNER SYSTEM, 1 WIRE PER SENSOR.

THE 2 CORNER SYSTEM DOES NOT UTILIZE THE ORANGE AND BLUE WIRES. TAPE OVER EACH TERMINAL AND SECURE BOTH WIRES OUT OF THE WAY. THESE WOULD BE USED IF EXPANDED TO A 4 CORNER SYSTEM.



WIRE HARNESS & CONNECTOR (ORANGE/WHITE, BLUE/WHITE, GRAY)

THE 2 CORNER SYSTEM DOES NOT UTILIZE THIS HARNESS. INSERT THE MALE PLUG INTO THE FEMALE PLUG & SECURE BOTH WIRES OUT OF THE WAY. THESE WOULD BE USED IF EXPANDED TO A 4 CORNER SYSTEM.

BLACK (GROUND)
COMPRESSOR BLACK (GROUND)

Press MODE Selection

- 1 Front Left (LF)
- 2 Front Right (RF)
- 3 Rear Left (LR)
- 4 Rear Right (RR)
- 5 Fronts (LF & RF)
- 6 Rears (LR & RR)
- 7 All corners (LF,RF,LR,RR)
- 8 Returns to (LF)

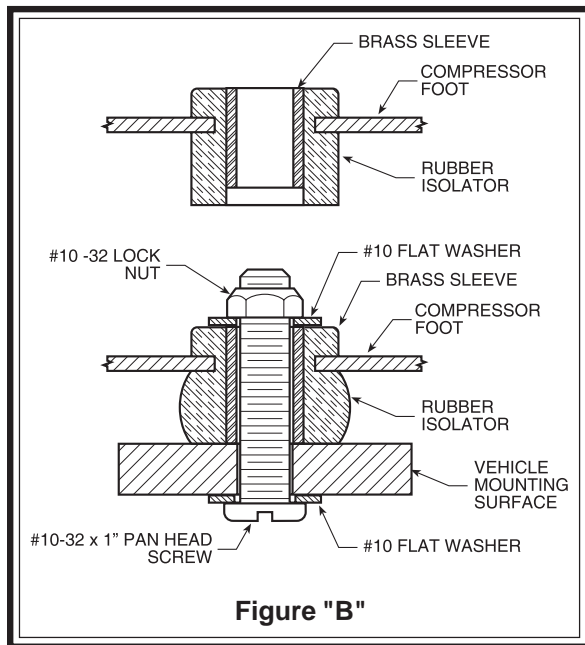


- UP ARROW INFLATES AIR SPRING(S)
- MODE - CYCLES THROUGH AIR SPRINGS
- DOWN ARROW DEFLATES AIR SPRING(S)

MEMORY BUTTONS - DISPLAYS AND ADJUSTS TO PRESET PRESSURE IN THE AIR SPRING(S)

USING THE MEMORY KEYS

Once the vehicle has been leveled and the desired pressure set, the displayed pressures can be stored and retrieved using the three memory buttons. Hold one of the memory buttons down for three seconds and release. To recall the stored pressures, press the memory button once. To inflate/deflate to the stored pressures, press the same memory button again within five seconds.



STEP 1 – MOUNT THE COMPRESSOR

Disconnect the negative battery cable. Select a convenient location to mount the compressor. This location should provide ample airflow and be protected from airborne debris. The mounting surface should be rigid to support the compressor. The compressor is oil-less and can be mounted in any orientation necessary for installation. Make sure that the wire harness will reach from the compressor to the anticipated location of the ECU. Install a male fitting into the treaded output on the compressor head, *see Figure "A"*. Tighten the fitting sufficiently to engage at least two threads with the pre-applied thread sealant. **DO NOT OVER TIGHTEN THE FITTING.** Mark the four compressor mounting holes using the compressor as a template and a center punch, then drill four 3/16" holes. Mount the compressor using the supplied 10-32 x 1" machine screw, 10-32 nylock nuts and 3/16"

washers. *See Figure "B"*. Attach the black wire from the compressor to a suitable ground source on the vehicle.

STEP 2 – MOUNT THE MANIFOLD BLOCK

Select the valve block from your kit. Install the pressure sensors into the back of the valve block. *See Figure "A"*. Select a convenient location to mount the valve block near the compressor. Mark the two mounting holes using the valve block as a template and a center punch, then drill two 9/32" holes. Mount the valve block using the supplied 1/4-20 x 2-1/2" bolts and 1/4-20 washers and nuts.

STEP 3 – MOUNT THE ECU

Select a location away from direct road spray and close to the compressor and valve block. Mark the two mounting holes using the ECU as a template with a center punch. Drill two 3/16" holes and mount ECU using two 10-32 x 3/4" machine screws and 10-32 nylock nuts.

STEP 4 – WIRE THE ECU, COMPRESSOR, AND VALVE BLOCK

Attach the tan wire and two of the white wires with ring terminals to the studs of the pressure sender at **PS1**. Attach the violet wire and the other two white wires with ring terminals to the studs of the pressure sender at **PS2**. **THERE MUST BE TWO WHITE WIRES ON EACH PRESSURE SENDER.** Plug the connector with the tan/white, violet/white, and green wires into the valve block. Insert the male plug into the female plug on the unused wire harness. Ground the compressor (black wire with ring terminal), ECU (black wire with ring terminal), and valve block (black wires with ring terminal) to a suitable location on the chassis. Attach the red wire with the spade terminal to the red wire of the compressor. Route the red wire with the fuse to a +12VDC power source. Attach the yellow wire to an ignition-activated source. *See Figure "A"*.

STEP 5 – MOUNT THE WIRELESS GAUGE

The wireless gauge can be mounted in the cabin using the four Velcro pads. Place the pads on the back of the gauge and then firmly place the gauge onto the mounting location. The gauge should not be left outside of the vehicle if not in operation.

STEP 6 – ROUTE THE AIR LINE

Cut a section of airline tubing that will reach from the compressor to the valve block. Cut the airline tubing as squarely as possible, insert the tubing into the male fitting on the compressor, and then into the fitting on the end of the valve block labeled **IN**.

Cut a section of airline tubing that will reach from the valve block to one of the air springs. Cut the airline tubing as squarely as possible, insert the tubing into the fitting on the valve block labeled **LF/LR**, and then insert the other end into the left front/left rear air spring. Use the nylon ties provided to secure the airline tubing to the vehicle. Route the tubing to avoid direct heat from the exhaust system and away from any sharp edges. Repeat this last step on the other right front/right rear air spring and connect to the valve block port labeled **RF/RR**. There is a fitting on the valve block to accept additional tubing to route an exhaust line, labeled **EXH**. This is an option and not necessary for proper operation.

STEP 7 – USING THE WIRELESS CONTROLLER

With the Wireless Air Command kit and the air springs installed, you are ready to test the system. Re-attach the negative battery cable and place the 9V battery into the gauge. Turn on the vehicle's ignition. The gauge will display how much air pressure is in the system.

Once the system has been turned on (press any of the buttons), the **MODE** and **ARROW** keys are used to cycle through the screen and make selections to inflate/deflate the air springs. Pressing the **MODE** button once will display an arrow pointing at the Front Left (FL) corner. Pressing the up/down button at this time will change the pressure in the air spring. Continuing to press the **MODE** button will cycle through the corners:

Press MODE	Selection
1	Front Left (LF)
2	Front Right (RF)
3	Rear Left (LR)
4	Rear Right (RR)
5	Fronts (LF & RF)
6	Rears (LR & RR)
7	All corners (LF,RF,LR,RR)
8	Returns to single selection (LF)

*****Not all functions are used in the 2 Corner System*****

Once the pressure has been selected, the system will turn on the compressor or open the exhaust valve to change the pressure. The change can be stopped by pressing either arrow key.

The display will turn off after 20 seconds of inactivity. To show the display, just press any of the buttons.

STEP 8 – CHECK THE SYSTEM

Inflate the air springs to 70 psi or the max air spring pressure, which ever is less, and check the fittings for air leaks with a solution of soap and water. If a leak is detected at a tubing connection, check to make sure that the tube is cut as squarely as possible and that it is pushed completely into the fitting. The tubing can easily be removed from the fitting by first releasing the pressure from the air spring, then by pushing the collar towards the body of the fitting and holding, then pulling the tube out.

